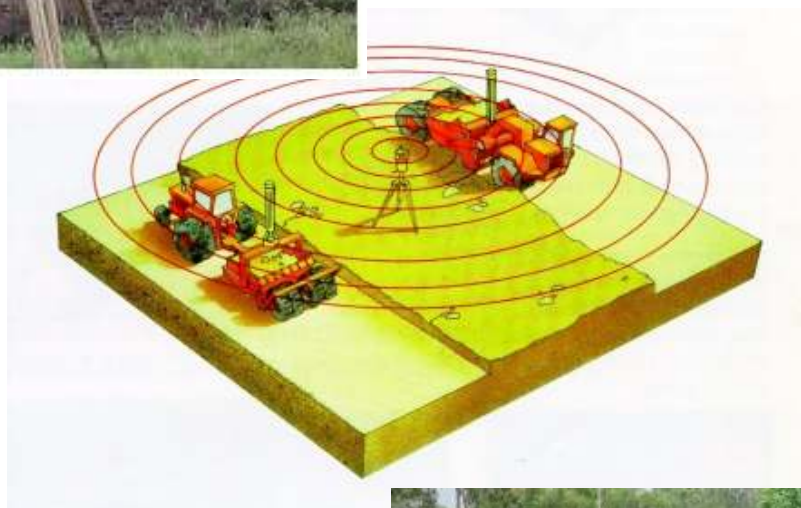


Laser Leveling Training Manual



Laser Leveling Training Manual

Purpose

This course explains the benefits of land leveling in rice fields and will help develop operator skills in using laser technology to achieve a level field surface.

Rationale

Unevenness in the soil surface topography in a rice field has a major effect on crop management and crop yield. Farmers must devote more resources to establishing and maintaining the crop and will receive less income from the sale of the crop if his fields are not level. Fields that are not level have uneven water coverage, which means that more water is needed to wet up the whole field for land preparation and plant establishment. The additional water required takes additional time to irrigate the field or rainfed farms must wait until the next rainfall event. This extra time in water management reduces the effective time available to complete tasks and grow the crop. Fields that are not level have uneven crop stands, increased weed burdens and uneven maturing of crops. All of these factors contribute to reduced yield and quality, which reduces the potential income from the crop. Effective land leveling will improve crop establishment, reduce the amount of effort required to manage the crop, and will increase both grain quality and yields

Objectives

On completion of this course, participants will be able to

- To identify and understand the operational components of a laser controlled leveling system
- Undertake a topographic survey using a laser system
- Set up and level a field using a laser controlled leveling system
- Trouble shoot a laser controlled leveling system

Laser Leveling Training Manual

Effective land leveling reduces the work in crop establishment and crop management, and increases the yield and quality. Level land improves water coverage that

- Reduces the amount of water required for land preparation
- Improves crop establishment
- Decreases the time to complete tasks
- Reduces weed problems
- Improves uniformity of crop maturity

Yield

Research has shown a large increase in rice yield due to good field leveling. The following table shows the results of land leveling experiments in Cambodia between 1996 and 1999.

| Year and operator | No. fields | Rice yield (t/ha) | |
|-------------------|------------|-------------------|------------------|
| | | Leveled fields | Unleveled fields |
| 1996 | 16 | 3.40 | 2.67 |
| 1997 | 14 | 2.27 | 1.46 |
| 1998 | 37 | 2.72 | 2.36 |
| 1999 [CARDI] | 35 | 2.34 | 2.00 |
| Average | | 2.72 | 2.19 |

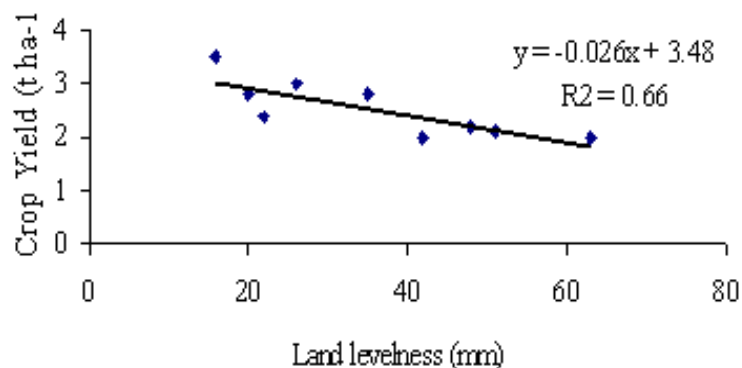
Results of land-leveling experiments conducted by CIAP in Cambodia, 1996-1999

This table of results, for the same rice varieties and the same fertilizer input, shows that the average increase in crop yield was 24% or 530 kilograms per hectare.

In two experiments conducted at different localities, a strong correlation was found between the levelness of the land and crop yield. This correlation is shown in the chart below:



Laser Leveling Training Manual



Weed Control

Land leveling increases yield. A large part of this increase is due to improved weed control. Improved water coverage from better land leveling reduces weeds by up to 40%. This reduction in weeds results in less time for crop weeding. A reduction from 21 to 5 labor-days/ha is achieved. This represents a reduction of up to 16 person-days per hectare – a 75% decrease in the labor required for weeding.



Farm Operation

Land leveling makes possible the use of larger fields. Larger fields increase the farming area and improve operational efficiency. Increasing field sizes from 0.1 hectare to 0.5 hectare increases the farming area by between 5% and 7%. This increase in farming area gives the farmer the option to reshape the farming area that can reduce operating times by 10% to 15%.



Seeding Practices

Leveling reduces the time taken for planting, for transplanting and for direct seeding. Land leveling provides greater opportunity to use direct seeding. The possible reduction in labor by changing from transplanting to direct seeding is approximately 30 person-days per hectare.



Laser Leveling Training Manual

Efficiency of Water Use

Rice farmers using animal or 2-wheel tractors rely on water to accumulate in the field before starting land preparation. The average difference in height between the highest and lowest portions of rice fields in Asia is 160mm. This means that in an unlevelled field an extra 80mm to 100mm of water must be stored in the field to give complete water coverage. This is nearly an extra 10% of the total water requirement to grow the crop. Land leveling effectively terraces fields allowing water in the higher fields to be used in the lower fields for land preparation, plant establishment and irrigation.



Systems of Land leveling

Draft animals, such as buffalo and oxen, 2-wheel tractors or 4-wheel tractors can all be used as power sources to level a field. Different systems require different field conditions and operating time to complete the task.

Draft animals and 2-wheel tractors using harrows and leveling boards. These leveling techniques require total water coverage of the field and require 7 to 8 days for a 2-wheeled tractor and 12 days per hectare of land using draft animals.



Laser Leveling Training Manual

4-wheel tractor using rear mounted tractor blades or drag buckets.

4-wheel tractors are very effective for leveling both wet and dry fields. Wet fields are best leveled with a rear-mounted tractor blade. Dry fields are best leveled using hydraulically operated drag buckets. Tractor work rates are dependent on the tractor's capacity and the amount of soil to be moved. It takes approximately 8 hours to level 1 hectare with a rear mounted tractor blade. This reduces to about 4 hours when using a drag bucket.



4-wheel tractor with a laser controlled bucket.

The use of laser controlled equipment results in a much more level field – up to 50% better than leveling using other techniques.



Laser Leveling Training Manual

Cost of land leveling

The initial cost of land leveling using contractors and machinery is high. The costs vary according to the topography, the shape of the field and the equipment used. The table below shows a cost comparison for leveling one hectare of land using animals and machines.

| | Animal leveling board | 2-wheel tractor harrows | 4-wheel tractor blade |
|---------------------|-----------------------|-------------------------|-----------------------|
| Purchase price (\$) | 500 | 1000 | 12,000 |
| Time (days) | 12 | 7 | 0.5 |
| | Operating cost \$/ha | | |
| Labor | 15.00 | 9.00 | 2.50 |
| Fuel & oil | | 22.00 | 32.50 |
| Repairs | | 5.00 | 7.50 |
| Pumping costs | 6.00 | 6.00 | |
| | Fixed Cost \$/ha | | |
| Depreciation cost | 12.00 | 4.00 | 7.50 |
| Total Cost (\$/ha) | 33.00 | 46.00 | 50.00 |

The time and cost comparison for land leveling in Cambodia

The table shows that the total cost of leveling one hectare of land using tractors is between \$45 and \$50. This cost varies with the volume of soil to be moved and the soil type. Studies over many sites have shown that the actual cost ranges from \$3 to \$5 per 10mm of soil moved per hectare. Contractors charge between \$30 and \$100 per hectare.

As the sophistication of the equipment increases, so does the capital cost. A 2-meter drag bucket costs \$1,000 to manufacture locally. A laser control system will cost between \$3,500 and \$10,000 to buy. However, using more sophisticated equipment increases the area that can be leveled each day.

The application of additional fertilizer, especially phosphate, is necessary in areas from which soil is moved. Depending on the soil type and the volume of soil moved, it may be necessary to add an extra 25 to 50kg/ha of DAP at a cost of between \$6 and \$13 per hectare.

Once a field has been leveled, plowing techniques must be changed to keep it level. Farmers are encouraged to plow from the center of the field out rather than continuing to use the traditional technique of plowing from the outside of the field in to the center. If appropriate plowing techniques are used, re-leveling the whole field should not be necessary for at least eight to ten years. Measurements taken in fields in the second and third year after leveling have shown very little variation in surface topography. The levelness of the field has been maintained after two crops.

Laser Leveling Training Manual

Financial benefits of land leveling

Although the initial cost of land leveling is an extra expense, a cash flow over a period of years shows that financial benefits do result from land leveling. The table below is a cash flow that outlines the additional cost and benefits over an eight-year period. The costs allow for an extra plowing and extra fertilizer in the first and second years. The benefits include reduced weeding costs of 40%.

| Year | 1 | 2 | 3 | 4 | 5 | 6 | 7 | 8 |
|-----------------------------|----------------------------------|----|----|-----|-----|-----|-----|-----|
| | Additional Cost (\$/ha) | | | | | | | |
| Leveling | 50 | 0 | 0 | 0 | 0 | 0 | 0 | 0 |
| Plowing | 15 | 0 | 0 | 0 | 0 | 0 | 0 | 0 |
| Fertilizer | 13 | 6 | 0 | 0 | 0 | 0 | 0 | 0 |
| | Financial Benefit (\$/ha) | | | | | | | |
| Grain yield | 53 | 53 | 53 | 53 | 53 | 53 | 53 | 53 |
| Reduction in weeding | 8 | 8 | 8 | 8 | 8 | 8 | 8 | 8 |
| Cumulative cash flow | -17 | 38 | 99 | 160 | 221 | 282 | 343 | 404 |

The additional cost and financial benefit from land leveling

This table shows that there are major financial benefits to be gained through land leveling. What the table does not include are the other benefits and opportunities of being able to direct seed, plow the field on time, harvest evenly ripened crop and shed floodwaters more rapidly.

While poor farmers may have problems financing a contractor to level land, it is quite possible for all farmers to level part of their land each year using animals and harrows during the normal plowing cycle.

Laser Leveling Training Manual

Laser leveling Equipment

Laser leveling requires soil to be shifted from the high points of the field to the low points in the most cost-effective way. In most situations fields will need to be plowed and a topographic survey undertaken before leveling commences. The equipment required can be classified as farm equipment and laser equipment

Farm Equipment

Tractor

A 4-wheel tractor is required to drag the leveling bucket. The size of the tractor can vary from 30-500hp depending on the time restraints and field sizes. In Asia tractors ranging in size from 30-100hp have been successfully used with laser-controlled systems. It is preferable to have a 4-wheel drive tractor than 2-wheel drive and the higher the horsepower the faster will be the operation. Power shift transmissions in the tractor are preferred to manual shift transmissions.

Plow

The fields will require plowing before and after land leveling. Depending on the amount of soil that must be cut it may also be necessary to plow during the leveling operation. Disc, moldboard or tine plows can be used.



Drag bucket

The leveling bucket can be either 3-point linkage mounted or pulled by the tractor's drawbar. Pull type systems are preferred as it is easier to connect the tractor's hydraulic system to an external hydraulic ram than connect to the internal control system used by the 3-point-linkage system. Bucket dimensions and capacity will vary according to the available power source and field conditions. A 60 hp tractor will pull a 2 m wide x 1 m deep bucket in most soil types.



Laser Leveling Training Manual

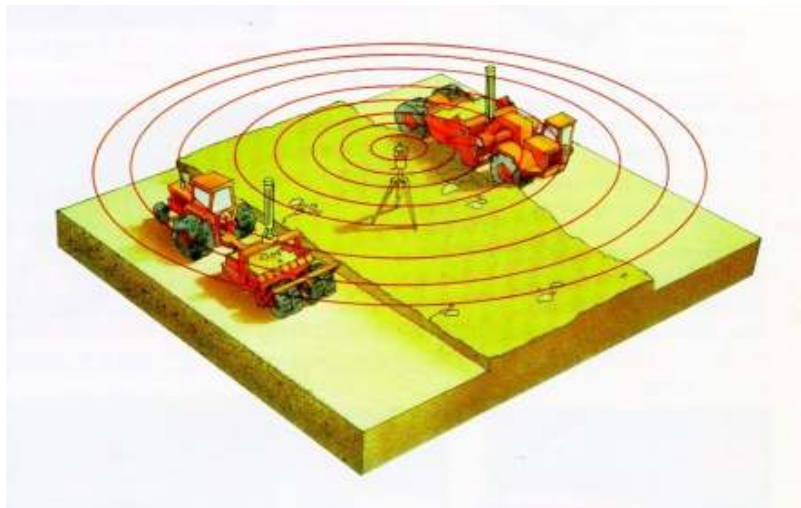
Laser Control equipment

The laser control system requires a laser transmitter, a laser receiver, an electrical control panel and a twin solenoid hydraulic control valve.



The laser transmitter transmits a laser beam, which is intercepted by the laser receiver mounted on the leveling bucket. The control panel mounted on the tractor interprets the signal from the receiver and opens or closes the hydraulic control valve, which will raise or lower the bucket.

Some laser transmitters have the ability to operate over graded slopes ranging from 0.01% to 15% and apply dual controlled slope in the field.



Laser Leveling Training Manual

Hydraulic Control System

The hydraulic system of the tractor is used to supply oil to raise and lower the leveling bucket. The oil supplied by the tractors hydraulic pump is normally delivered at 2000-3000psi pressure. As the hydraulic pump is a positive displacement pump and always pumping more oil than required, a pressure relief valve is needed in the system to return the excess oil to the tractor reservoir. If this relief valve is not large enough or malfunctions damage can be caused to the tractors hydraulic pump.

Wherever possible it is advisable to use the external remote hydraulic system of the tractor as this system has an inbuilt relief valve. Where the oil is delivered directly from the pump to the solenoid control valve, an in line relief valve must be fitted before the control valve. The solenoid control valve, when supplied by the laser manufacturers has an inbuilt relief valve.

The solenoid control valve controls the flow of oil to the hydraulic ram which raises and lowers the bucket. The hydraulic ram can be connected as a single or double acting ram. When connected as a single acting ram only one oil line is connected to the ram. An air breather is placed in the other connection of the ram to avoid dust contamination on the non-working side of the ram. In this configuration the weight of the bucket is used for lowering.

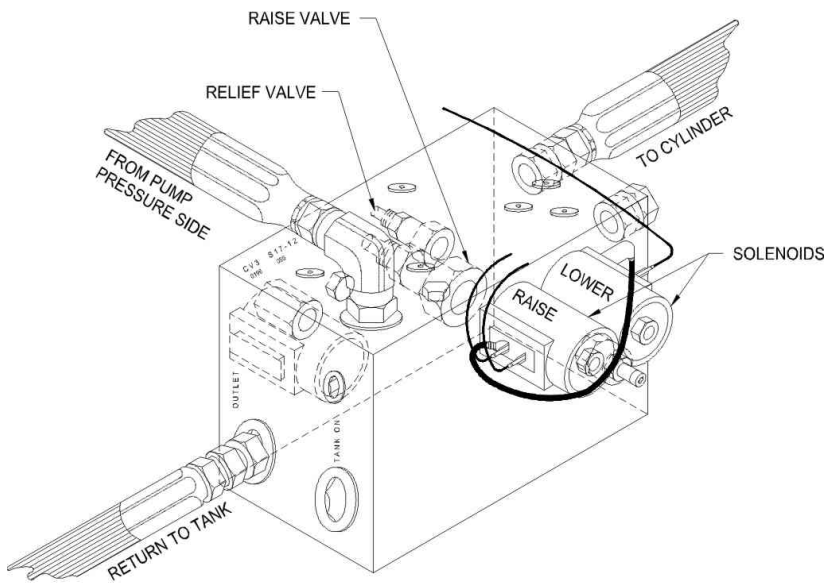
The desired rate at which the bucket raises and lowers will depend on the operating speed. The faster the ground speed the faster the bucket will need to adjust. The rate at which the bucket will raise and lower is dependant on the amount of oil supplied to the delivery line. Where a remote relief valve is used before the control valve, the pressure setting on this valve will change the raise/ lower speed. Laser manufacturer supplied control valves have pressure control adjustments on both the bypass relief valve and the raise and lower valves.

When using a hydraulic ram the ram should be positioned so that the ram body is connected so as to push from the bucket frame rather than the depth control wheels.

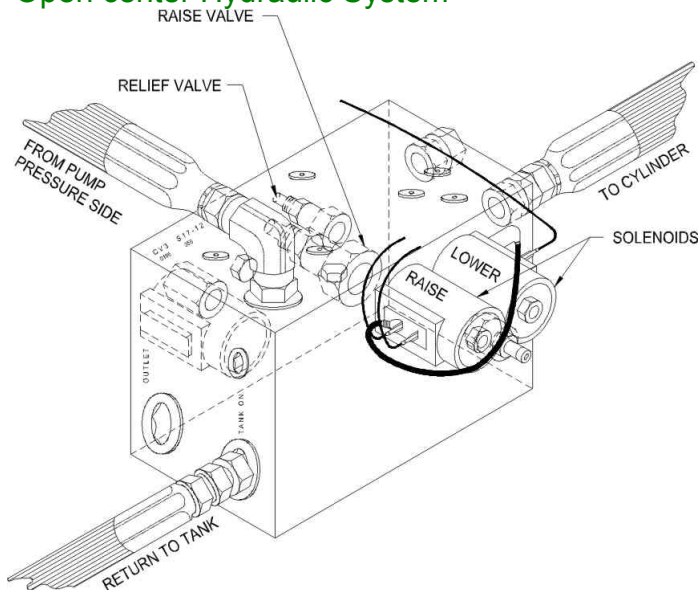
Laser Leveling Training Manual

Tractor Hydraulic Control Valves

Tractor hydraulic systems come as either open or closed centred systems. As the response time from each system is different the connections from the tractor to the control valve must be re arranged.



Open center Hydraulic System



Closed Center Hydraulic System

Laser Leveling Training Manual

Laser Surveying

Laser Equipment

Laser levels are now widely used for surveying purposes in the construction industry. A zero-slope laser level will cost approximately \$US1, 000 and is a very effective and accurate means of surveying. The more complicated machine control systems can cost up to \$10,000

The laser surveying system is made up of a laser transmitter, a tripod a measuring rod and a small laser receiver. A major advantages of laser surveying is the accuracy, simplicity of use and only one person is needed



Other equipment that may be required.

Other equipment may be needed when using a laser system for topographic surveying. This includes:

Tape: One 100-meter tape. While metal tapes are more accurate, fiberglass tapes are generally more robust

Staff: if a measuring rod is not available. The staff is preferred as metric, upright with an E-type, pattern. Check the accuracy of the scale on the staff using a steel tape because some staff faces may be out by one or more centimeters

Compass: If direction and bearings are to be recorded a compass will be required. The compass can be used to set magnetic north on the level and allow recordings to be taken from it

Pegs/Hammer: Pegs, preferably painted white, are required especially for marking out a grid survey or temporary marks

Book: A notebook is required to record all measurements and other information required to make sense of the survey work completed in the field. Enough detail should be recorded so that the levels could be rechecked if necessary. The notebook should be small enough to fit comfortably into a shirt or trouser pocket

Pencil/Eraser: A pencil and eraser are preferable to an ink or biro type pen in the field. Mistakes can be easily remedied, pencils will not run out as an ink pen will and a pencil will still function even if the paper becomes a little wet through perspiration.

Laser Leveling Training Manual

Surveying a field

Lasers are now widely used for surveying. They are very accurate, simple to use and readily available in most countries. Recordings can be taken up to a radius of 300 meters from the transmitter. One person can operate a laser level.



Using a laser level

- Open the tripod legs and adjust the individual positioning of the legs until the base plate is relatively level. Use the horizon as a visual guide to get the base plate level.
- Attach the laser transmitter to the base plate.
- If the laser is not self-leveling, adjust the individual screws on the base of the transmitter to get the bubble into the center of both circles. Most lasers will not rotate unless the transmitter is level.
- Once the transmitter is level attach the receiver to the staff and activate the sound monitor.
- The laser is now ready to commence recording heights.

Recording survey measurements

All measurements should be recorded in a field book that can be easily carried in a shirt or pants pocket. There are a number of ways to record data in a field book but the open field plan system is the easiest when surveying for leveling purposes..

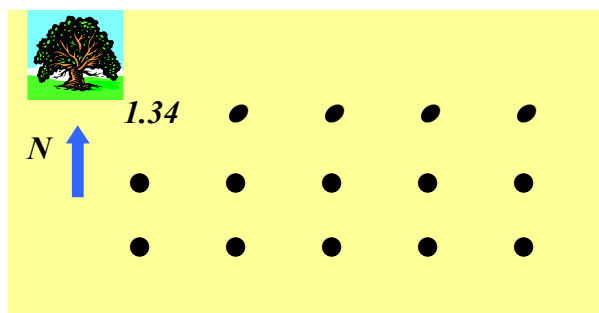
Field plan format

When leveling a field or placing contour banks in a field it is often easier and less confusing to record the data on a scaled or grid map that visually represents the field.

Laser Leveling Training Manual

Field Plan

A benchmark is used so that any point in the field can be checked back against a reference if the need arises and to check the accuracy of the survey. The levels are recorded on a grid map. Change in elevation or comparing individual readings or subtracting each reading from the mean height of the field can determine slope.



In the case of a land leveling exercise, where a cut/fill map is required, it is best to use the mean height of the field as a reference point. To determine the mean height of the field add together all of the measured points and divide by the number of measurements.

A new map is then drawn which shows the difference between the mean height of the field and the recorded height. For example, if the mean height is 1.00m and the actual height is 1.50m then there is a low point of 0.5m. This is recorded as a positive figure and when leveling land this area must be filled.

By doing this for the complete field a cut/fill map is drawn and an estimate of the volume of soil that needs to be shifted can be calculated.

Error due to earth's curvature

The Laser Transmitters are designed for use at distances up 300 meters. Beyond this distance, the curvature of the earth becomes a consideration. The error from the earth's curvature affects a laser transmitter the way it does a surveying instrument. Elevation readings at long distances will appear lower than they actually are.

The following table shows the amount of error for a straight line of sight due to the curvature of the earth:

- 150 m-1.5 mm
- 300 m-6 mm
- 450 m -15 mm
- 600 m - 24 mm

Laser Leveling Training Manual

Determine the theoretical time to level a field

The length of time taken to level the field can be calculated by knowing the average depth of cut from the cut/fill map, the dimensions of the field, the volume of soil that can be moved by the bucket and the tractor operating speed.

Example

Field dimensions = 100m x 50m,
Average depth soil to be cut = 25cm,
Leveling bucket dimensions = 2m x 1m x 1m
Bucket fill = 50%
Tractor speed (average of when the bucket is full and empty) = 8km/hr

Volume of soil to be moved = Field area/2 x average depth cut (m)
= $100 \times 50 / 2 \times 0.25$
= 625m³

Volume soil in bucket (m³) = $2 \times 1 \times 1 \times 0.5$
= 1m³

Number of trips required = $625 / 1 \times 2$ (full and empty)
= 1250 trips

Average trip length (50% of field) = $100 / 2$ m
= 50m

Total distance traveled (m) = 1250×50 m
= 62500m

Time (hours) = distance (m)/speed (km/hr)/1000
= $62500 / 8 / 1000$
= 7.77hrs

Therefore approximately 8 hours is required to level this field. This is a theoretical time and will vary according to the skill of the operator, the soil type and operating conditions.

Laser Leveling Training Manual

Checking and calibrating a laser transmitter

The laser transmitter should be periodically checked for accuracy. Most laser transmitters have two horizontal level adjustment screws that allow minor adjustments to be made along the two axes of the horizontal plane. The axes are usually labeled “X” and “Y” All checking and calibration procedures are done at the zero slope reading

The following items are required to check the accuracy of the transmitter.

- A suitable tripod that allows you to rotate the transmitter in 90 degree increments.
- A minimum 65 meter range that is unobstructed and as close to flat as possible.

The **check/calibration** procedure is as follows:

- Mount the unit on a tripod at one end of the 60m range and level it. Set X and Y-axis grade counters at zero. With auto leveling transmitters, turn the transmitter control switch to the AUTO position and wait for the Auto Mode Indicator Lamp to stop flashing.
- Station a rodman with a receiver at the other end of the range 60m away.
- Align the laser, using the sighting scope or groove, such that the “X” is pointed directly at the rodman. Make sure the pentamirror is rotating and the Auto Mode Indicator Lamp has stopped flashing (if appropriate).
- Have the rodman take a precise reading to within 2 mm and mark the reading as X1.
- Rotate the transmitter 180 degrees and wait at least 2 minutes for it to re-level. In non-auto leveling transmitters, manually re-level the transmitter Have the rodman take another accurate reading and mark it down as X2.

Outcomes

If the difference between X1 and X2 is less than 6 mm, no adjustment is necessary and the laser can be assumed to give the correct reading.

If the difference is between 6mm and 38mm the transmitter then needs to be calibrated and this can be done locally in the field. See calibration of the transmitter.

NOTE. If the difference is 38mm or greater the unit must be re-calibrated at an authorized service center. You cannot recalibrate it in the field without damage to the unit

Laser Leveling Training Manual

Calibration of the Transmitter

If the difference in transmitter readings is between 6mm and 38mm then the transmitter can be calibrated locally.

Procedure

- From the two previous readings calculate the “X” average = $(X1 + X2)/2$ and have the rodman adjust the detector on the rod to the “X” average. (Center the detector between the two readings).
- Locate the “X” calibration screw and adjust it to align the beam to the “X” average at the detector. If gentle turning of the calibration screw cannot align the beam, return the unit to an authorized service center for calibration.
- After adjusting the beam, allow for the unit to stabilize before taking the next reading, then repeat the entire above procedure to check your work and do a fine readjust if necessary to get it just right.
- After adjusting the “X” axis rotate the transmitter 90 degrees to the “Y” axis. Point the “Y” axis directly at the rodman, using the sighting scope or groove and repeat the above steps 5 through 9. Call the readings Y1 and Y2 and calculate the “Y” axis average as you did in step 7.

The same procedure may be employed by directing the beam onto a wall 60m away. Instead of having the rodman recording on the staff, make a mark on the wall at X1 and X2 and then draw a line in the center. The beam is then adjusted until it is recorded at the centerline. This system is useful if there is no rodman available or a measuring staff is not available.

Laser Leveling Training Manual

Measuring distance

It is important to be able to measure distance as many of the critical decisions that are made on a farm are based on being able to measure distance with some degree of accuracy. Calibration of equipment, determination of application rates, measurement of yield/unit area and speed of operation are a few variables that depend on distance measurement as input.

There are many ways to measure distance. The most common methods are using a tape measure or a calibrated step.

Tape measure

The tape measure is the most common instrument for measuring distance. Tapes can be made of steel, fiberglass or plastic and vary from 1 to 200 meters in length. As most discrepancies occur at change stations, the longer the tape measure used the more accurate will be the distance measured.

Care must be taken to use the starting point of the tape. On some tapes this will be metal ring or tag and on others it will be where these are joined to the tape proper.



Steel tapes will be more accurate than other materials but can be less flexible and more prone to damage when being used.

Using a tape measure

- Check the tape measure is complete. Tapes are often broken and repaired which usually means shortening the tape
- Hold the start of the tape at the first point and applying a reasonable load to the tape, read off the second mark.
- In windy conditions a third person may be necessary between the two measured points to help align the tape.

Laser Leveling Training Manual

The calibrated step

In a number of instances it is not necessary to know the exact distance. Where errors of less than 5% are acceptable distances could be measured by a calibrated step. Each individual will have different sized steps for different environmental conditions.



To calibrate a step, each individual must count the number of steps taken to walk a known distance in each environmental condition. This will vary according to the walking surface, the presence or otherwise of obstacles and the slope.

How to calibrate your step

- Mark out a distance of 100 meters
- Walk at normal walking speed and stride length over the measured 100-meter course and count the number of steps
- Repeat this at least twice and preferably 4 times
- Add up the total number of steps and divide by the total distance walked
- The outcome will be your step factor
- It is then possible to calculate the distance between two objects by walking at normal speed counting the number of steps and dividing this by your stride factor.

Example

- I walked 100metres and it took 107 steps. I walked back over the 100m course and this time I took 113 steps
- My total number of steps for the course up and back was 220 and I walked 200m
- By dividing the 220 steps by 200 my step factor will be 1.1
- Therefore, if the distance between two objects was 40 of my regular steps, the actual distance is $40/1.1$, which equals 36.6m approximately.

Laser Leveling Training Manual

Laser Leveling – Field Operation

Laser leveling requires soil to be shifted from the high points of the field to the low points in the most cost-effective way. In most situations fields will need to be plowed and a topographic survey undertaken before leveling commences.

1. Plough the field.

Plough the field preferably from the center of the field outwards. It is preferable to plough the field when the soil is moist because if the soil is ploughed dry a significant increase in tractor power is required and large clod sizes may result. If the soil is very dry a one-way disc or moldboard may be required. Disc harrows or tine implements are ideal for second workings. All surface residues need to be cut up or removed to aid soil flow from the bucket

2. Topographic survey recording the high and low spots in the field

- A topographic survey using a laser will need to be undertaken to establish the high and low areas in the field.
- A field diagram should be drawn noting the high and low areas in the field. From the surveyed readings the mean height of the field must be established. Taking the sum of all the readings and dividing by the number of readings taken can attain this.
- From the field diagram and knowing the mean height of the field, a strategy can then be determined to most effectively move soil from the high to low areas..



3. Begin leveling

- The laser-controlled bucket should be positioned at a point that represents the mean height of the field.
- The cutting blade should be set slightly above ground level (1-2cm).
- The tractor should then be driven in a circular direction from the high areas to the lower areas in the field.



Laser Leveling Training Manual

- To maximize working efficiency, as soon as the bucket is near filled with soil the operator should turn and drive towards the lower area. Similarly as soon as the bucket is near empty the tractor should be turned and driven back to the higher areas.
- When the whole field has been covered in this circular manner, the tractor and bucket should then do a final leveling pass in long runs from the high end of the field to the lower end.
- The field should then be re-surveyed to make sure the desired level of precision has been attained.
- In wet areas where there is poor traction or a chance of bogging the tractor, care needs to be taken to fill the wet areas from the effected edge in a circular motion.
- If the fields are ploughed in lands and leveling undertaken in the areas of soil settlement in the second year, the fields should not require further major leveling works for at least 8 years.



4. Maintain or repair levee



Laser Leveling Training Manual

Trouble Shooting

| Problem | Cause/Solution |
|--|---|
| Bucket will not raise or lower | Check the transmitter is working Check hydraulic connections Check electric connections on solenoid Check pressure relief valve setting on control valve Check for contamination in oil lines |
| Bucket doesn't respond in certain parts of field | Line of vision between transmitter and receiver blocked Receiver the same height as tractor cabin Laser beam above or below the receiver height |
| Bucket will only move in one direction | Check hydraulic connections Check electric connections on solenoid Check pressure relief valve setting on control valve Check for contamination in oil lines |
| Bucket shudders when first started | Oil cold or no load in bucket Check pressure relief valve setting |
| Bucket raises and falls automatically | Check line of vision Check electronic connections on solenoid Check oil level in tractor hydraulic system |
| Field uneven | Traveling to fast Raise and fall speed to slow |
| Field not level or slopes the wrong way | Check the levelness/calibration of the transmitter Soil to compacted for bucket to cut |
| Soil not flowing out of bucket | Soil to wet Too much foreign matter in soil |
| Soil not flowing into bucket | Too much crop/weed residue on surface Soil to compacted |

Laser Leveling Training Manual

Suggested Training Schedule

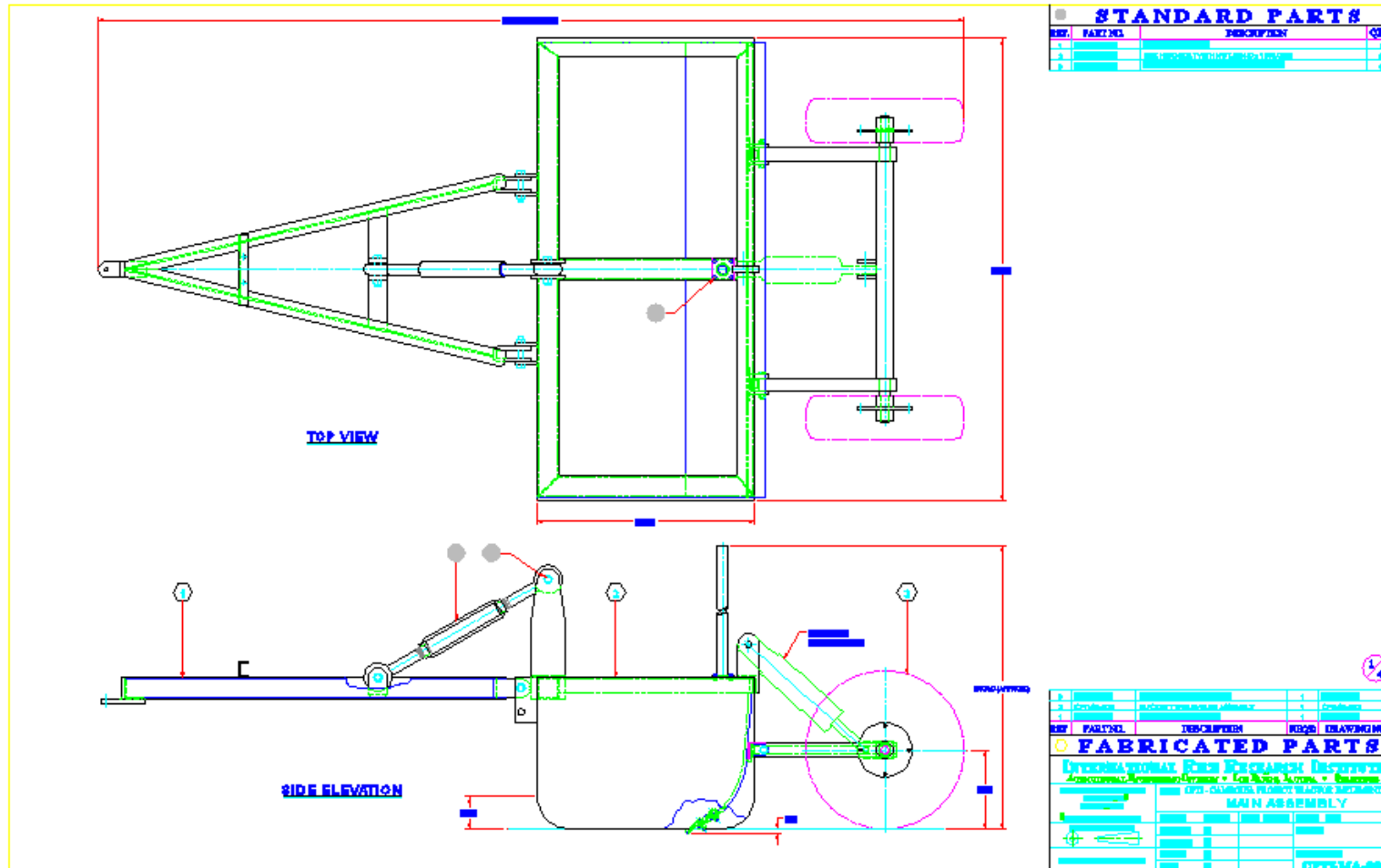
Course overview (classroom)

- Why level the field (classroom lecture/discussion)
- View leveling operation and discussion of components (field)
- Familiarization with laser equipment (classroom)
- Set up and adjust a laser level. Take readings at different points (classroom).
- Check the accuracy of laser level (classroom)
-

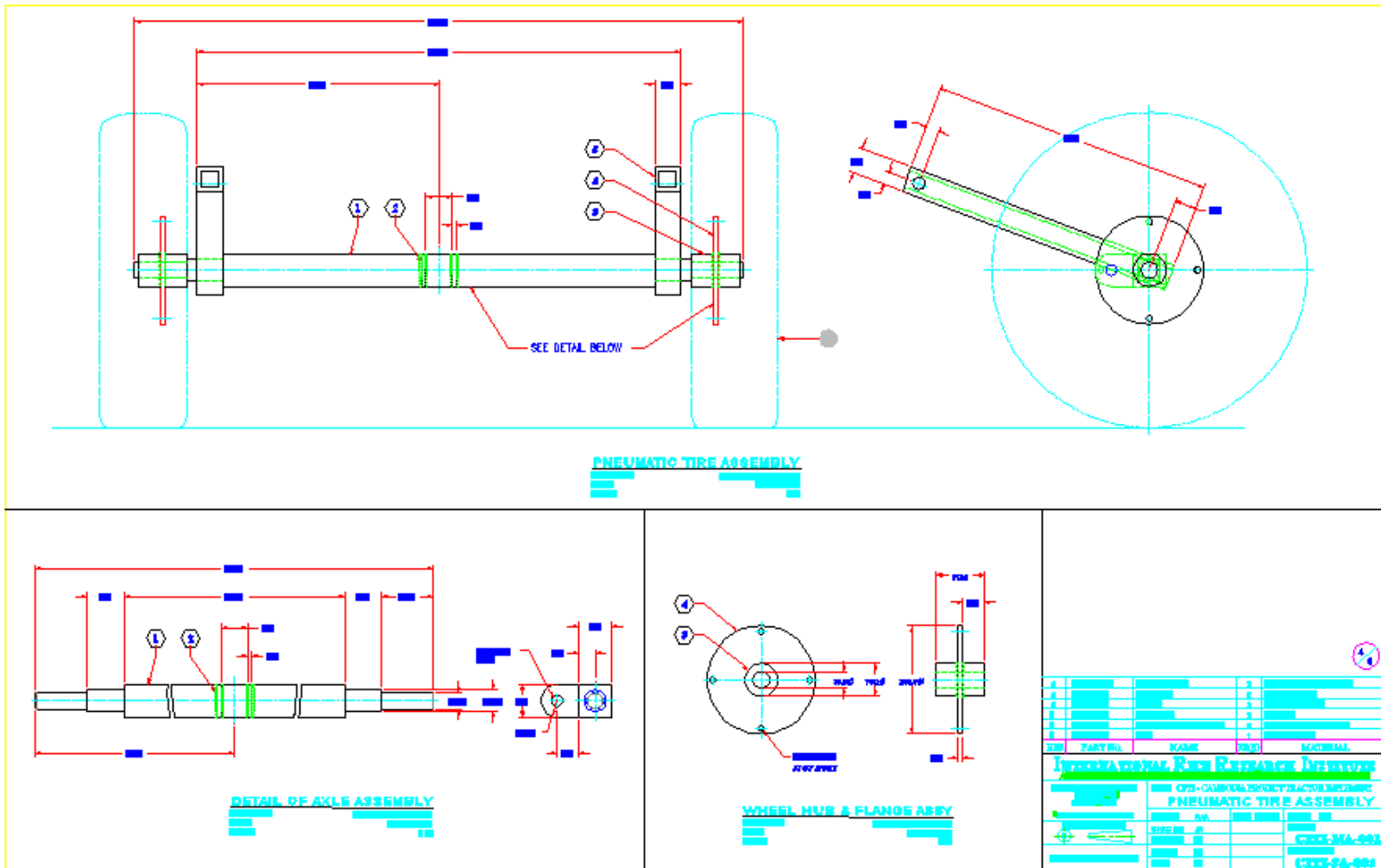
Field Training

- Calibrate footstep and check against known distance (field)
- Grid survey field using laser system (field)
- Determine relative heights in field and mean field height
- Make cut fill map (classroom)
- Determine theoretical time to level field (classroom)
- Set up laser controlled bucket and tractor in field at mean height (field)
- Level field
- Check field levelness
- Change transmitter station and re establish mean field height.
- Disassemble and reassemble leveling bucket, hydraulic control system and laser system
- Trouble shooting

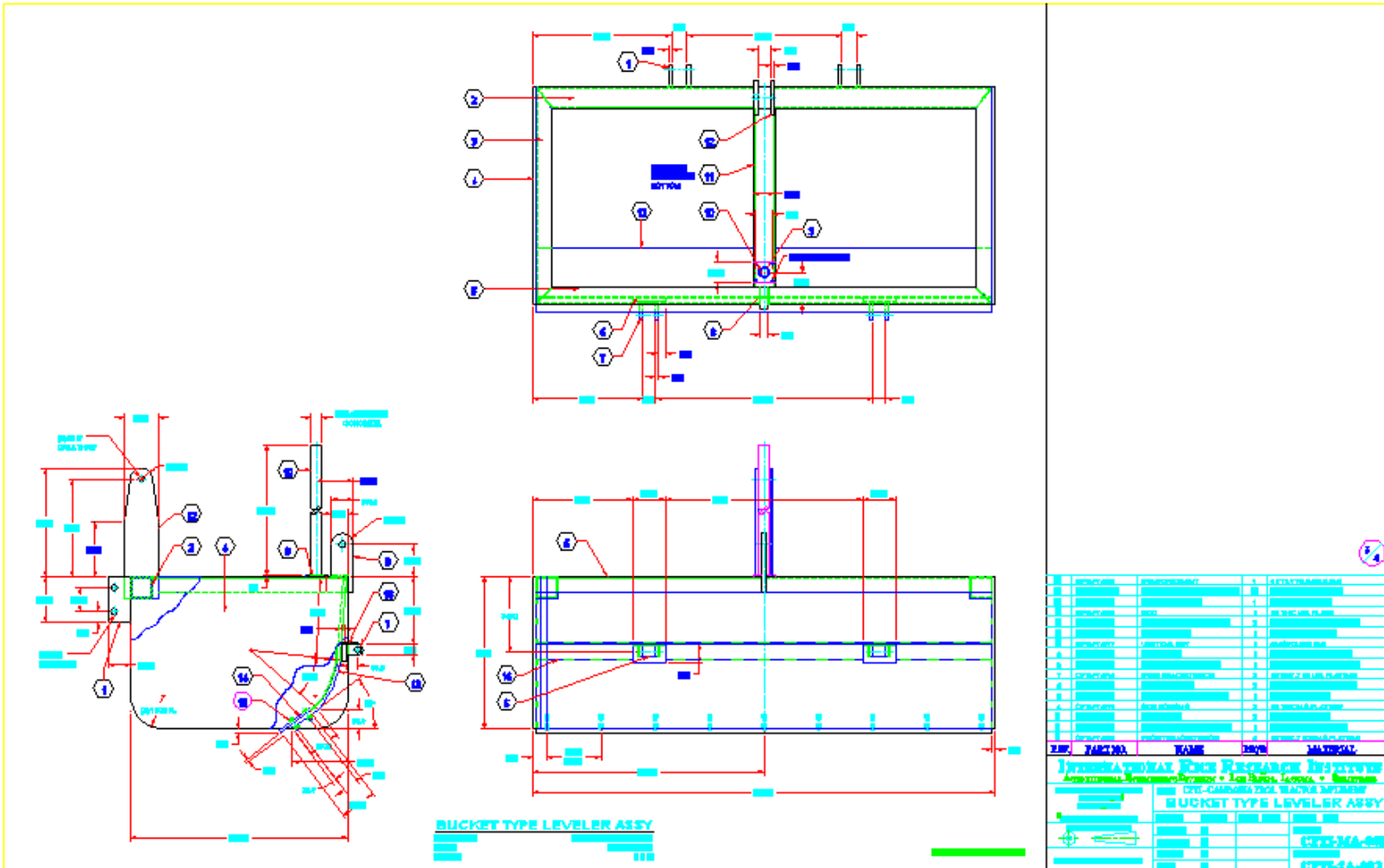
Laser Leveling Training Manual



Laser Leveling Training Manual



Laser Leveling Training Manual



Laser Leveling Training Manual

Unless otherwise noted, the content of this course material is licensed under a Creative Commons Attribution – Non Commercial 3.0 License

<http://creativecommons.org/licenses/by-nc/3.0/>

Copyright 2013, The International Rice Research institute

You assume all responsibility for use and potential liability associated with any use of the course material. The course material may contain copyrighted content, and was developed for educational purposes only. Copyright holders of content included in this material should contact IRRI with any questions, corrections, or clarifications regarding the use of content. IRRI does not license the use of third party content included in this course material unless such a license is specifically granted in connection with particular content objects. Users of content are responsible for their compliance with applicable law.